

## Model AL40108V/AL40114V/ AL50114V/AL50120V

Lift shown with Full-Length V-Bunk, optional Motorstop.

Lift shown with Hemlock Tweed SeaMark™ canopy.



## Model AL30108V

Lift shown with Full-Length V-Bunk and optional Motorstop.



## Model AL70120V/AL70132V

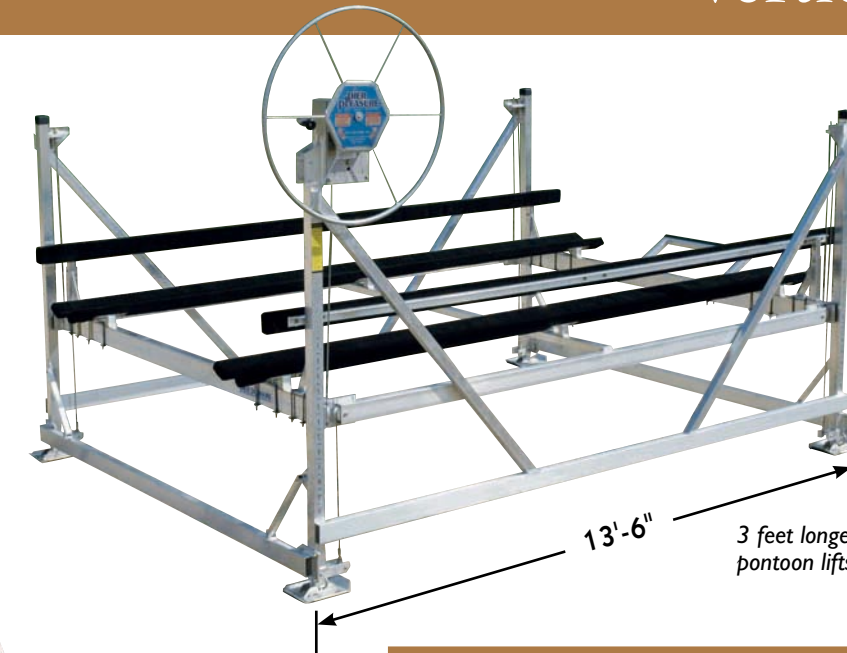
Model AL70120V shown with Full-Length V-Bunk, optional Full-Length Guide-Ons and Motorstop. Lift is standard with remote.



Remote

## Model AL30114VP/ AL40114VP/AL50120VP

Lift shown with Pontoon V-Racks, optional Full-Length Guide-Ons and Motorstop.



13'-6"

3 feet longer than other pontoon lifts on the market.

### VERTICAL LIFT SPECIFICATIONS

	LIFT CAPACITY	BEAM WIDTH	LIFT LENGTH	LIFT WEIGHT
AL30108V	3000 lbs.	108"	108"	417 lbs.
AL40108V	4000 lbs.	108"	120"	482 lbs.
AL40114V	4000 lbs.	114"	120"	495 lbs.
AL50114V	5000 lbs.	114"	120"	503 lbs.
AL50120V	5000 lbs.	120"	120"	514 lbs.
AL70120V	7000 lbs.	120"	120"	568 lbs.
AL70132V	7000 lbs.	132"	120"	597 lbs.
AL80120V	8000 lbs.	120"	148"	612 lbs.
AL80132V	8000 lbs.	132"	148"	660 lbs.

### VERTICAL PONTOON LIFT SPECIFICATIONS

AL30114VP	3000 lbs.	114"	148"	489 lbs.
AL40114VP	4000 lbs.	114"	148"	519 lbs.
AL50120VP	5000 lbs.	120"	148"	560 lbs.

## Quality and Value

All Pier Pleasure vertical lift models are standard with non-corrosive stainless steel bolts, stainless cables and brass nuts, giving you many years of service while maintaining a clean appearance. Aluminum sheaves are used to maximize cable life and to ensure lasting performance under heavy use. Pier Pleasure vertical lifts offer rigid diagonal V-bracing on both sides, giving uncompromised strength on demand when your boat is raised to maximum height. Our V-braced design also allows for non-restricted access to your boat from either side of the lift, which is ideal for slip installations.

Vertical lifts are excellent in shallow water conditions and when the weight of the boat exceeds 4000 pounds. In these applications, cantilever lifts lose their mechanical lifting advantage. Pier Pleasure vertical lifts are ideal for applications where the water level changes drastically and where maximum wave clearance is needed. Our direct vertical rise of 66" allows you to keep your boat high and dry without continually moving and adjusting your lift.



Stainless Pins with Grease Zerks



Aluminum Sheaves  
Stainless Steel Cables



7000 lb. & 8000 lb. 110V  
Electric Worm-Gear Winch



Pivoting Footpad Adjusts  
to Lake Bottom