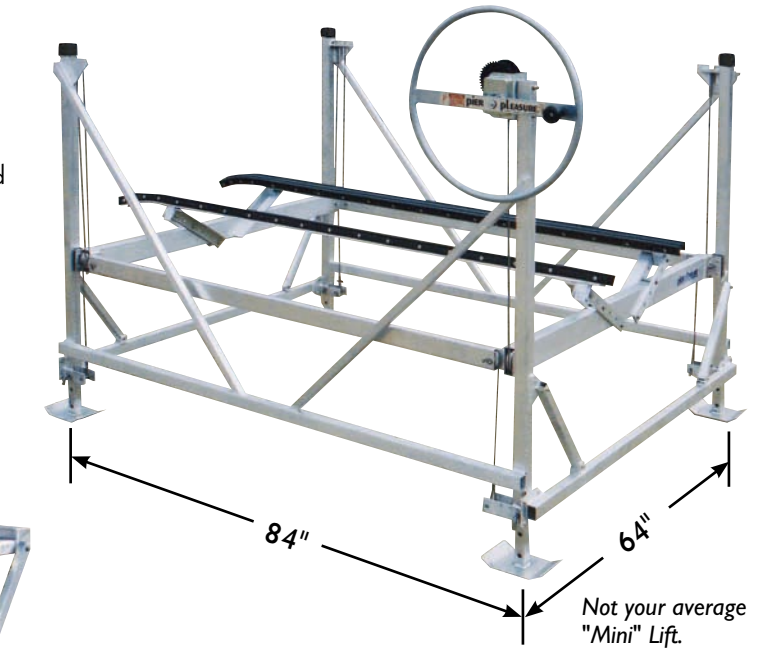




Model AL20114
Model AL20114 is standard with (2) Full-Length V-Bunks.



Model AL1058
Lift shown with standard Full-Length V-Bunk.



Model AL1264V (Vertical Lift)
Lift shown with standard Full-Length V-Bunk.

Model AL1084
Model AL1084 is standard without any V-Bunk. Full-Length V-Bunk is available.



PERSONAL WATERCRAFT LIFT SPECIFICATIONS

	LIFT CAPACITY	BEAM WIDTH	LIFT LENGTH	LIFT WEIGHT
AL1058	1000 lbs.	58"	64"	112 lbs.
AL20114	2 x 1000 lbs.	2 x 58"	64"	198 lbs.
AL1084	1000 lbs.	84"	84"	138 lbs.
AL1264V	1200 lbs.	64"	84"	149 lbs.

Protect Your Investment

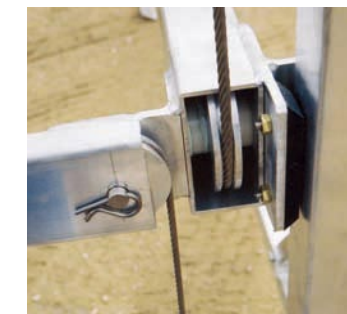
Pier Pleasure PWC boat lifts are built with the same quality components as our larger boat lifts. Pier Pleasure uses stainless bolts, cables and pins. There is no wood or carpet to deteriorate. Pier Pleasure's full-length v-bunk is standard with aluminum channel and extruded vinyl, making these lifts high quality and low-maintenance.



Stainless steel pin with grease zerk and stainless cable.



Adjustable vinyl V-Bunk with aluminum C-Channel with curved end.



Stainless steel cables and UHMW guides.



Stainless steel pins with grease zerks.